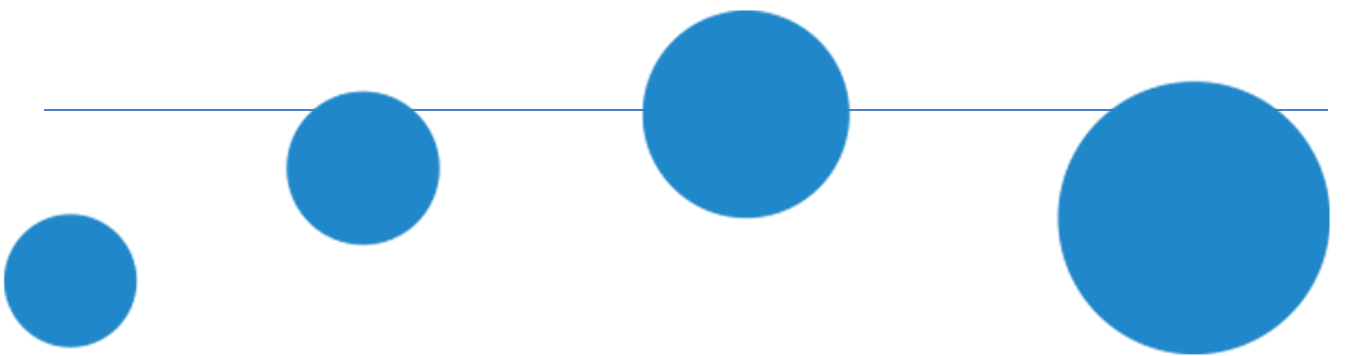


---

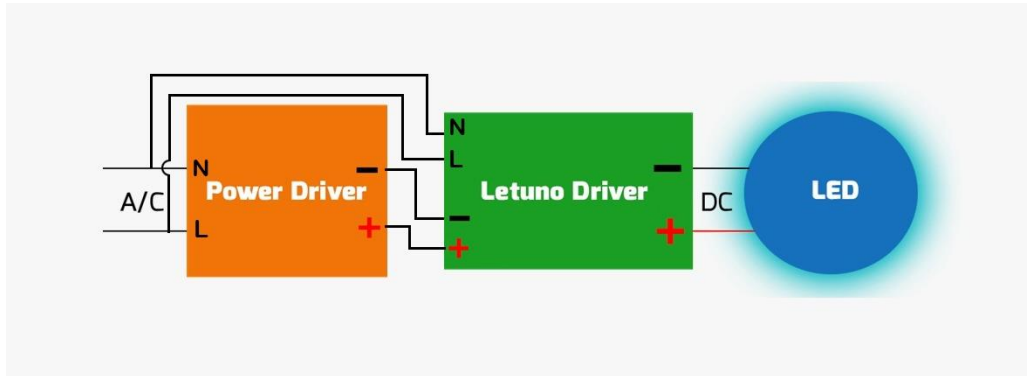
# letüño

Enlighten Your Life!



LETUNO VLC DRIVER V1.1  
INSALLATION MANUAL

Through this document we are going to explain the wiring scheme for connecting Letuno Driver with LED circuitry. As shown in the below figure, Letuno must be connected between the LED power driver and the LED lamp, so that the output from the power driver is connected to the input of Letuno driver and the output of Letuno driver is connected to the LED lamp, also you will need to wire in A/C line to Letuno driver.



Since the design can power up two lamps in the same circuit, as shown in the below figure the input and the output blocks are specified with the polarity of each side

